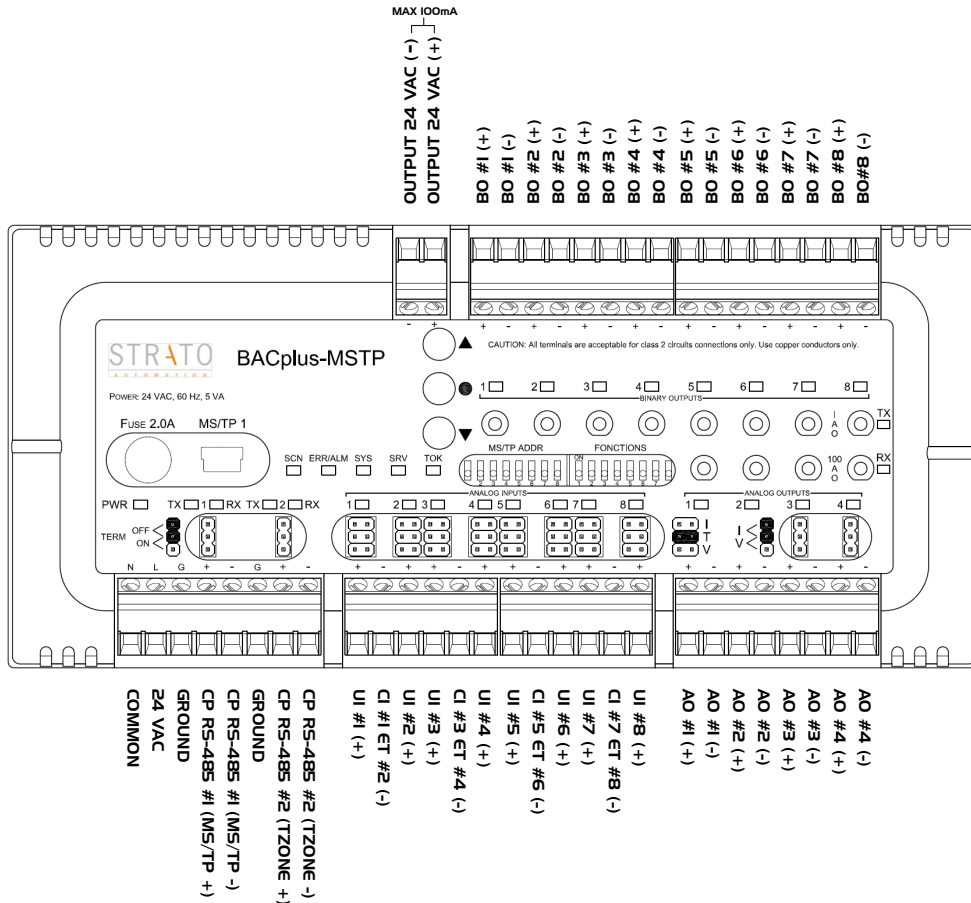
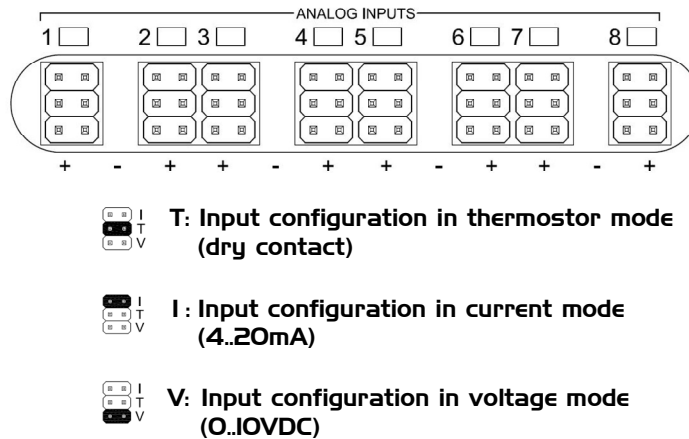


## Installation instructions – BACplus-MSTP

### TERMINAL BLOCK IDENTIFICATION



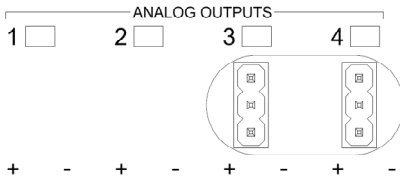
### INPUT CONFIGURATION



## Installation instructions – BACplus-MSTP

### ANALOG OUTPUTS

#### Configuration



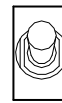
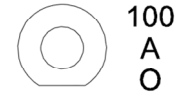
**I:** Output configuration in current mode (4..20mA)



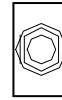
**V:** Output configuration in voltage mode (0..10VDC)

**Note:** Output #1 and #2 are NOT configurable. They are in voltage mode 0..10VDC

#### Bypass



**100** = MANUALLY BYPASSED OUTPUT AT 100%



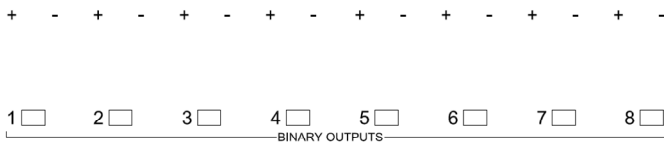
**A** = OUTPUT IN AUTOMATIC



**0** = MANUALLY BYPASSED OUTPUT AT 0%

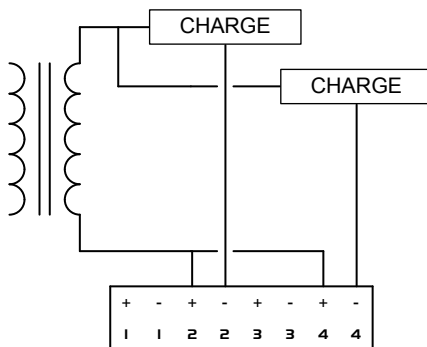
### BINARY OUTPUTS

#### Configuration

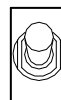


The binary outputs are not configurable. The connections are of type "sink".

#### Example of a type "sink" connection



#### Bypass



**I** = MANUALLY BYPASSED OUTPUT TO ON



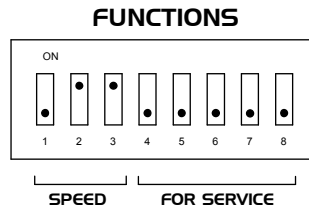
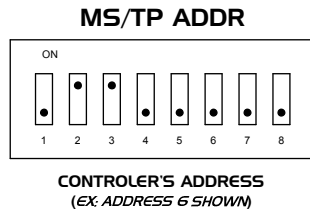
**A** = OUTPUT IN AUTOMATIC



**O** = MANUALLY BYPASSED OUTPUT TO OFF

## Installation instructions – BACplus-MSTP

### ADDRESSING AND FUNCTIONS

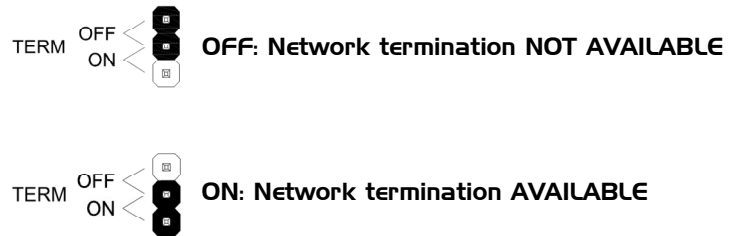
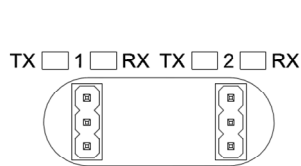


### AVAILABLE SPEEDS

OIO : 9600 BPS  
 IIO : 19200 BPS  
 OOI : 38400 BPS  
 OII : 76800 BPS  
 III : 115200 BPS

( O = OFF and I = ON )

### NETWORK TERMINATION



### DIAGNOSTICS LED

- PWR** : POWER SUPPLY
- TX** : DATA TRANSMISSION
- RX** : RECEIVING DATA
- SCN** : APPLICATION PROGRAM EXECUTION
- ERR/ALM** : ERRORS / ALARMS
- SYS** : SYSTEM ERROR DETECTION
- SRV** : STRATO SERVER CONNECTED
- TOK** : COMMUNICATION TOKEN OBTAINED