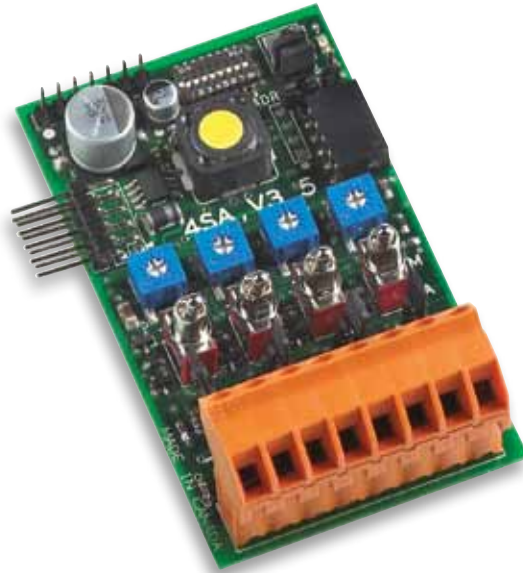


EXP-4AO

4 ANALOG OUTPUTS



DESCRIPTION

- ▶ Expansion module with 4 analog (universal) outputs.

FEATURES

- ▶ 2-position override switch on each output (auto/manual).
- ▶ Manual override potentiometer on each output.
- ▶ Red LED indicator for manual override status on each output.
- ▶ Green proportional status LED on each output.
- ▶ Provides quick pairing between BACman controller and/or other available expansion modules.
- ▶ Values measured are transmitted to the display unit.
- ▶ Quick snaptrack rail mounting.
- ▶ Comes with 45° inclined and removable terminal block that facilitates connections.

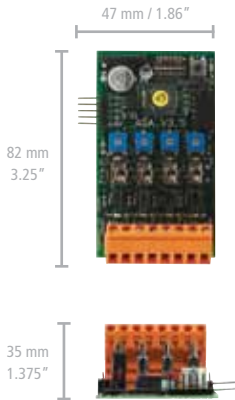
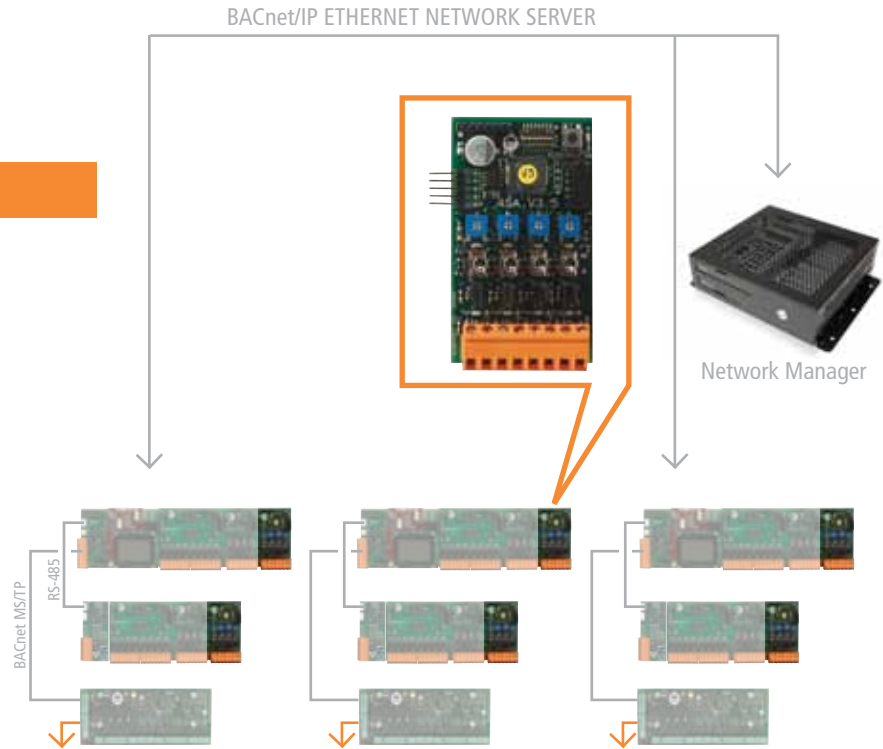
APPLICATION

Is part of a modular construction on which modulating output peripherals can be connected.

- ▶ Actuator, valve, SCR, ...

EXP-4AO

4 ANALOG OUTPUTS



TECHNICAL SPECIFICATIONS

- ▶ **Max. Wire Size:** 14 awg
- ▶ **Supply Voltage:** Via BACman or EXP-IO
- ▶ **Outputs:** 4 analog I-V
I: Current 0 .. 20mA
V: Voltage 0 .. 10VDC
- ▶ **Resolution:** 9 Bits (512 counts)
- ▶ **Impedance (I):** 500Ω
- ▶ **Impedance (V):** 500Ω
- ▶ **Override Switch:**
4 Auto / Manual
- ▶ **Override Potentiometer:**
4 from 0 à 100% of analog signal
- ▶ **Microprocessor:** 48 MHz
- ▶ **Dimensions:**
47 mm x 82 mm / 1.86" x 3.25"
- ▶ **Storage/Transport Temp.:**
-40 °C .. 60 °C / -40 °F .. 140 °F
- ▶ **Operating Temp.:**
-25 °C .. 45 °C / -13 °F .. 113 °F
- ▶ **Relative Humidity:** 10 .. 90 % RH (non-condensing)
- ▶ **Weight:** 34,3 g / 0,075 lb
- ▶ **Mounting:** Standard 3.25" snaptrack
- ▶ **Warranty:** 3 years
- ▶ **Certification:** UL (Canada and US) UL 916 Energy Management Equipment (pending)