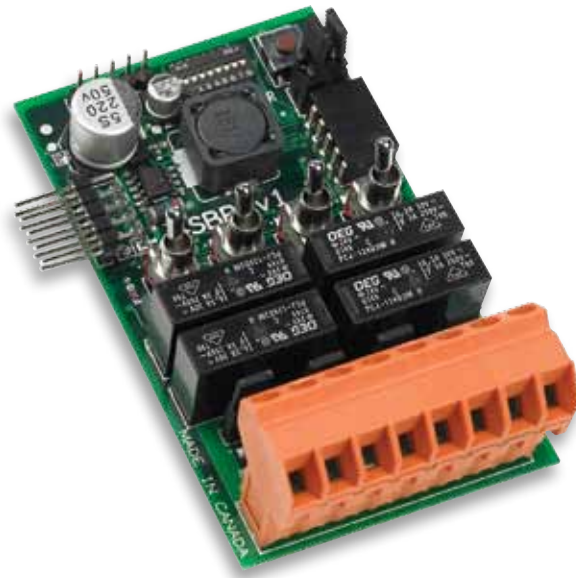


## EXP-4BOR

4 BINARY OUTPUTS  
WITH RELAY



### DESCRIPTION

- ▶ Expansion module with 4 binary outputs with relay.

### FEATURES

- ▶ 3-position override switch on each output (Manual-On/Auto/Manual-Off).
- ▶ Red LED indicator for manual switch status on each output.
- ▶ Green LED indicator on each output to signal its status.
- ▶ Output status is displayed on the interface.
- ▶ Provides quick pairing between BACman controller and/or other available expansion modules.
- ▶ Values measured are transmitted to the display unit.
- ▶ Quick snaptrack rail mounting.

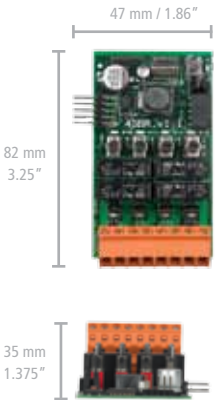
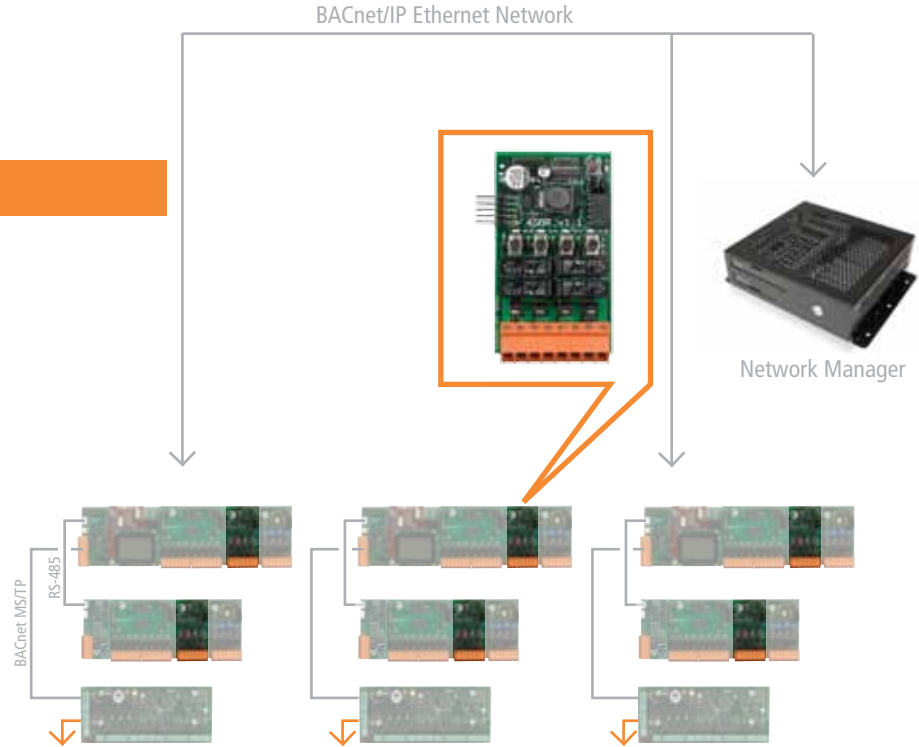
w Comes with 45o inclined and removable terminal block that facilitates connections.

### APPLICATION

Is part of a modular construction on which On-Off peripherals are connected. For all load controls of a maximum of 3 AMP.

# EXP-4BOR

## 4 BINARY OUTPUTS WITH RELAY



### TECHNICAL SPECIFICATIONS

- ▶ **Max. Wire Size:** 14 awg
- ▶ **Supply Voltage:** Via BACman or EXP-IO
- ▶ **Outputs:** 4 binaries with relay  
3 Amp, dry contact N.O.
- ▶ **Override Switch:**  
4 Manual-on / Auto / Manual-off
- ▶ **Microprocessor:** 24 Mhz
- ▶ **Dimensions:**  
47 mm x 82 mm / 1.86" x 3.25"
- ▶ **Storage/Transport Temp.:**  
-40 °C .. 60 °C / -40 °F .. 140 °F
- ▶ **Operating Temp.:**  
-25 °C .. 45 °C / -13 °F .. 113 °F
- ▶ **Relative Humidity:**  
10 .. 90% RH (non-condensing)
- ▶ **Weight:** 61.1 g / 0.13 lb
- ▶ **Mounting:** Standard 3.25" snaptrack
- ▶ **Warranty:** 3 years
- ▶ **Certification:** UL (Canada and US) UL 916 Energy Management Equipment (pending)