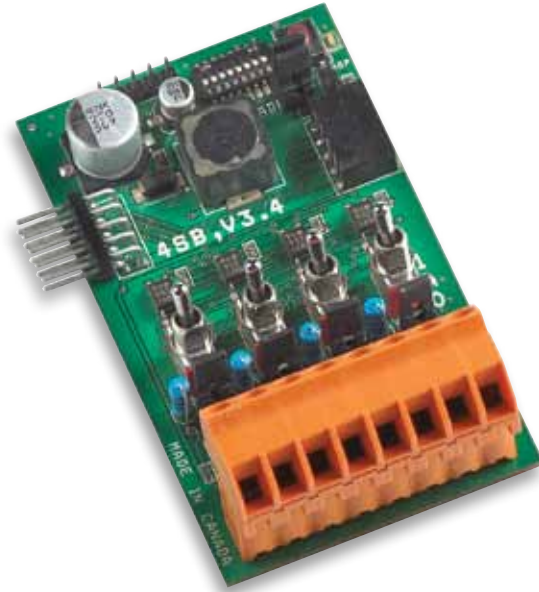


EXP-4BO

4 BINARY OUTPUTS



DESCRIPTION

- ▶ Expansion module with 4 binary (triac) outputs.

FEATURES

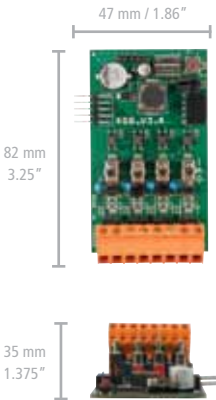
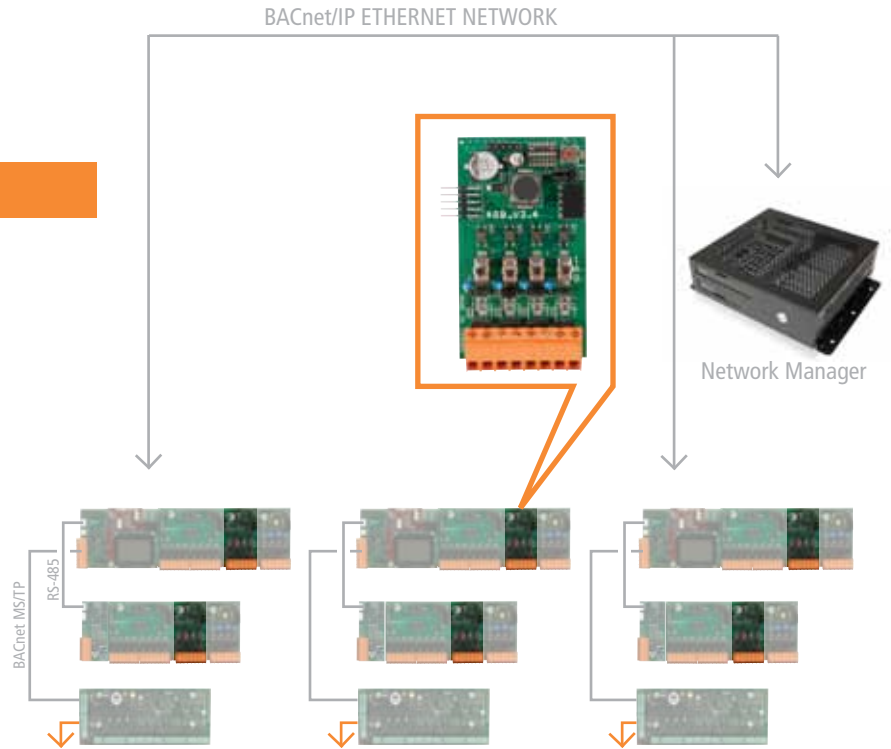
- ▶ 3-position override switch on each output (Manual-On/Auto/Manual-Off).
 - ▶ Red LED indicator for manual switch status on each output.
 - ▶ Green LED indicator on each output to signal its status.
 - ▶ Output status is displayed on the interface.
 - ▶ Can support voltage to the output via an internal source (source) or an external source (sink) through jumper selection.
 - ▶ Provides quick pairing between BACman controller and/or other available expansion modules.
 - ▶ Values measured are transmitted to the display unit.
 - ▶ Quick snaptrack rail mounting.
- w Comes with 45o inclined and removable terminal block that facilitates connections.

APPLICATION

Is part of a modular construction on which On-Off or Pulsed outputs peripherals are connected.

EXP-4BO

4 BINARY OUTPUTS



TECHNICAL SPECIFICATIONS

- ▶ **Max. Wire Size:** 14 awg
- ▶ **Supply Voltage:** Via BACman or EXP-IO
- ▶ **Outputs:** 4 binary (triacs) 0-30 VAC, 1 Amp Max
- ▶ **Override Switch:** 4 Manual-on / Auto / Manual-off
- ▶ **Microprocessor:** 24 MHz
- ▶ **Dimensions:** 47 mm x 82 mm / 1.86" x 3.25"
- ▶ **Storage/Transport Temp.:** -40 °C .. 60 °C / -40 °F .. 140 °F
- ▶ **Operating Temp.:** -25 °C .. 45 °C / -13 °F .. 113 °F
- ▶ **Relative Humidity:** 10 .. 90 % RH (non-condensing)
- ▶ **Weight:** 36.6 g / 0.08 lb
- ▶ **Mounting:** Standard 3.25" snaptrack
- ▶ **Warranty:** 3 years
- ▶ **Certification:** UL (Canada and US) UL 916 Energy Management Equipment (pending)