

EXP-IO

EXPANSION MODULE



DESCRIPTION

- ▶ Expansion module to which other input and output modules can be added on additional rails.

FEATURES

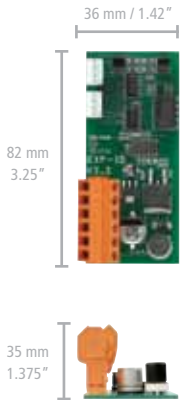
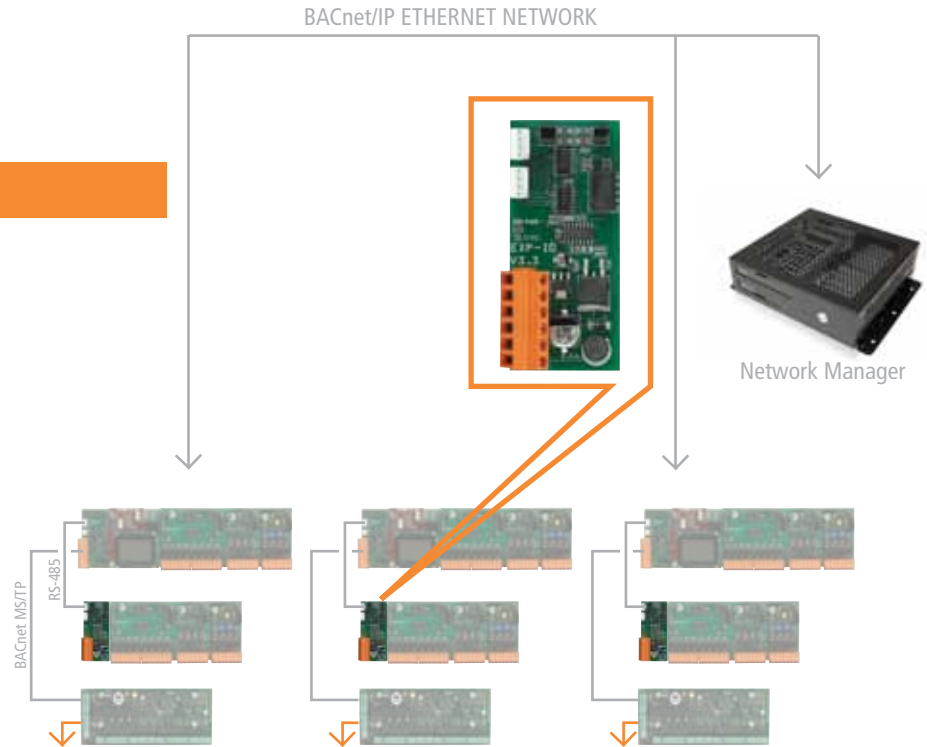
- ▶ Permits the modular construction of controllers as per actual system requirements.
- ▶ Provides quick pairing between BACman controller and/or other available expansion boards.
- ▶ Quick snaptrack rail mounting.
- ▶ Increases control capability within a same logical tree structure.
- ▶ Comes with 45° inclined and removable terminal block that facilitates connections.

APPLICATION

Permits simple and effective expansion of BACman controller tree architecture.

EXP-IO

EXPANSION MODULE



TECHNICAL SPECIFICATIONS

- ▶ **Max. Wire Size:** 14 awg
- ▶ **Supply Voltage:** 24 VAC
- ▶ **Current Consumption:** 50 VA Max
- ▶ **Type of Protection:** 2 Amp plug-in fuse
- ▶ **Expansion:** Cartes EXP-8AI, EXP-4AO, EXP-4BO, EXP-4BOR and other modules
- ▶ **Cable Included:** 230 mm / 9"
- ▶ **Optional:** 610 mm / 24"
- ▶ **Dimension:** 36 mm x 82 mm / 1,42" x 3,25"
- ▶ **Storage/Transport Temp.:** -40 °C .. 60 °C / -40 °F .. 140 °F
- ▶ **Operating Temp.:** -25 °C .. 45 °C / -13 °F .. 113 °F
- ▶ **Relative Humidity:** 10 .. 90 % RH (non-condensing)
- ▶ **Weight:** 20.2 g / 0.044 lb
- ▶ **Mounting:** Standard 3.25" snaptrack
- ▶ **Warranty:** 3 years
- ▶ **Certification:** UL (Canada and US) UL 916 Energy Management Equipment (pending)